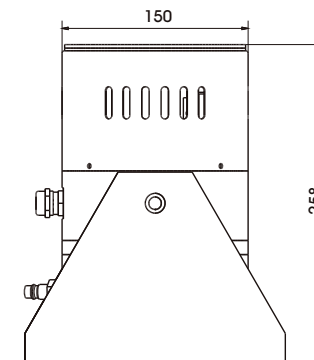


TECHNICAL PARAMETERS Vibration exciter S 51110-AC

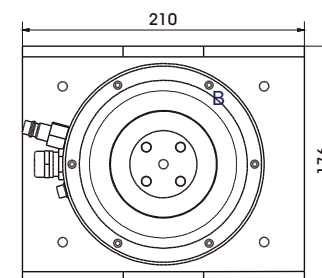
Rated peak force Sine _{pk} /Random _{RMS} ¹	100/50 N
Frequency range	1 - 20000 Hz
Main resonance frequency	> 19000 Hz
Max. displacement Peak-Peak	25.4 mm
Max. velocity	1.2 m/s
Max. acceleration Sine/Random	17/8 g
Effective moving mass	0.53 kg
Total mass	18 kg
Armature diameter	50 mm
Required compressed air supply	600 kPa (flow of app. 2.5 l/min)

1) Random force according to ISO 5344:2004



SCOPE OF DELIVERY, OPTIONS AND FEATURES OF THE SYSTEM

Scope of delivery:	Options:	Features:
Vibration exciter 100 N	Rack for mounting the amplifier	Vibration isolation
Trunnion mount	Cable extension	Automatic centering of the armature
Power amplifier 500 VA	Factory acceptance test	High cross-axial stiffness
Electronic zero point regulation (Tira Middle Control=TMC)		Vibration system made of ceramic material
Connection cable (5 m)		Air bearing for frictionless and wear-free guidance
Power cable (each 1.5 m) for amplifier+TMC (CEE 7/7 connector)		Minimum maintenance effort
Compressed-air hose NW 7,2 (Standard) (3 m)		Made in Germany
		Service hotline



TECHNICAL PARAMETERS Power Amplifier BAA 500-T

Output power _{RMS}	500 VA
Frequency range	1 - 20000 Hz
Voltage-/Current mode	yes/no
Voltage _{RMS} max.	45 V
Current _{RMS} max.	11.2 A
Signal input voltage _{RMS}	< 5 V
Distortion	< 0.1 %
Signal to noise ratio	> 90 dB
Total mass (Amplifier+TMC)	29 kg
Dimensions (Amplifier+TMC, WxHxD)	483 x 170 x 450 mm
Power supply Amplifier (Standard)	1 ~ / N / PE 230 V ±5% 50 Hz CEE 7/7
Power supply TMC (Standard)	1 ~ / N / PE 100-240 V 50 Hz CEE 7/7
Recommended fuse protection (Standard)	16 A slow
Max. power consumption at 230 V	0.35 kVA
Interlocks:	Overload, Temperature, Clipping

Features:
High Signal to noise ratio of >90 dB
Fully automatic electronic zero-point regulation (TIRA Middle Control = TMC) with the possibility of manual adjustment of zero-point and axial stiffness

