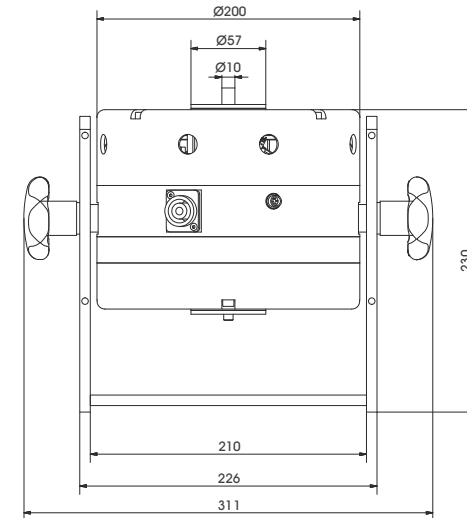


## TECHNICAL PARAMETERS Modal exciter S 51110-MOSP

Rated peak force Sine <sub>pk</sub> /Random <sub>RMS</sub> <sup>1</sup>	100/70 N
Frequency range	DC - 5000 Hz
Main resonance frequency (free-swinging)	>6000 Hz
Max. displacement Peak-Peak	25.4 mm
Max. velocity	1.5 m/s
Suspension stiffness	4 N/mm
Effective moving mass	0.23 kg
Total mass	21 kg
Coupling thread	M6

1) Random force according to ISO 5344:2004



## SCOPE OF DELIVERY, OPTIONS AND FEATURES OF THE SYSTEM

<b>Scope of delivery:</b> Modal exciter 100 N Trunnion mount Power amplifier 200 VA Connection cable (5 m) Power cable (1.5 m) for amplifier (CEE 7/7 connector)	<b>Options:</b> Stinger (see Modal brochure for details) Cable extension Factory acceptance test	<b>Features:</b> High cross-axial stiffness Throughhole in the center of the armature for attaching tension-wire stingers Light weight construction by using rare earth magnet Minimum maintenance effort Made in Germany Service hotline
--	---	---

## TECHNICAL PARAMETERS Power Amplifier DA 200

Output power <sub>RMS</sub>	200 VA
Frequency range	1.5 - 22000 Hz
Voltage-/Current mode	yes/no
Voltage <sub>RMS</sub> max.	30 V
Current <sub>RMS</sub> max.	10 A
Signal input voltage <sub>RMS</sub>	7 V
Distortion	< 0,1 %
Signal to noise ratio	> 90 dB
Total mass	3.5 kg
Dimensions (WxHxD)	390 x 80 x 260 mm
Power supply (Standard)	1 ~ / N / PE 100...264 V 50..60 Hz CEE 7/7
Recommended fuse protection (Standard)	10 A slow
Max. power consumption at 230 V	75 VA (operation with S 51110)
Interlocks:	Overload, Temperature, Clipping

**Features:**  
 High Signal to noise ratio of >90 dB  
 Low distortion factor of < 0.1 %  
 Safety management system monitors functions as temperature, overcurrent and overvoltage

