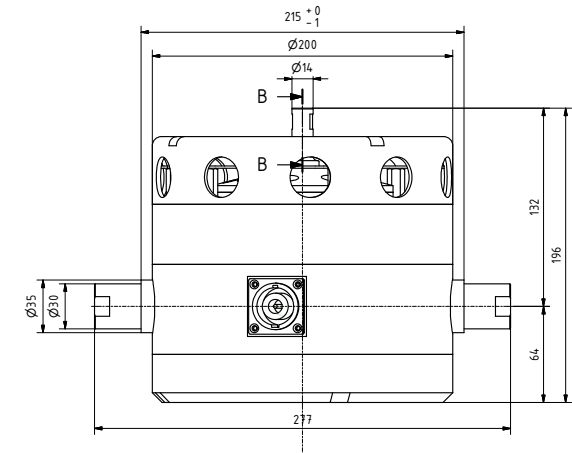


TECHNICAL PARAMETERS Modal exciter S 51120-MNC

Rated peak force Sine _{pk} /Random _{RMS} ¹	200/100 N
Frequency range	DC - 3000 Hz
Main resonance frequency (free-swinging)	>4000 Hz
Max. displacement Peak-Peak	9 mm
Max. velocity	1.3 m/s
Suspension stiffness	70 N/mm
Effective moving mass	0.5 kg
Total mass	18 kg
Coupling thread	M8

1) Random force according to ISO 5344:2004



SCOPE OF DELIVERY, OPTIONS AND FEATURES OF THE SYSTEM

<p>Scope of delivery: Modal exciter 200 N Power amplifier 500 VA Temperature monitoring (terminal box) Connection cable (3 m) Power cable (1.5 m) for amplifier (CEE 7/4 connector)</p>	<p>Options: Trunnion mount with vibration isolation Stinger (see Modal brochure for details) Cable extension Factory acceptance test</p>	<p>Features: High cross-axial stiffness Light weight construction by using rare earth magnet Temperature monitoring of moving coil Minimum maintenance effort Made in Germany Service hotline</p>
--	---	---

TECHNICAL PARAMETERS Power Amplifier BAA 500

Output power _{RMS}	500 VA
Frequency range	DC - 20 kHz
Voltage-/Current mode	yes/yes
Voltage _{RMS} , max.	45 V
Current _{RMS} , max. (below 5 Hz)	11.2 A (5 A)
Signal input voltage _{RMS}	< 5 V
Distortion	< 0.1 %
Signal to noise ratio	> 90 dB
Total mass	25 kg
Dimensions (WxHxD)	483 x 90 x 450 mm
Power supply (Standard)	1 ~ / N / PE 230 V±5% 50 Hz CEE 7/4
Recommended fuse protection (Standard)	16 A slow
Max. power consumption at 230 V	0.35 kVA
Interlocks:	Overload, Temperature, Clipping

Features:
High Signal to noise ratio of >90 dB

