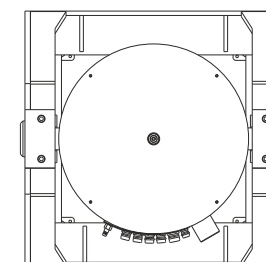
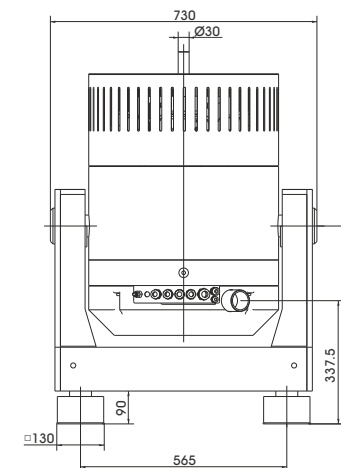
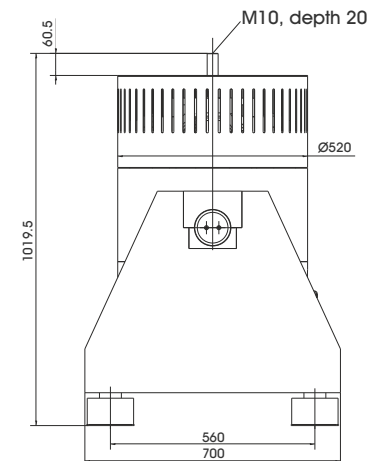


TECHNICAL PARAMETERS Modal exciter S 55240-M/LSS

Rated peak force Sine _{pk} /Random _{RMS} ¹	4000/3400 N
Frequency range	1 - 2000 Hz
Main resonance frequency (free-swinging)	>2500 Hz
Max. displacement Peak-Peak ²	100 mm
Max. velocity	2.0 m/s
Suspension stiffness	electronically adjustable
Effective moving mass (±5%)	11.0 kg
Total mass	800 kg
Coupling thread	M10
Interlocks	Temperature, displacement, cooling air, overcurrent

1) Random force according to ISO 5344:2004
2) only with foundation mounting

For long-term tests, the load must be reduced to 80 %. Continuous operation at maximum load can cause damage.



SCOPE OF DELIVERY, OPTIONS AND FEATURES OF THE SYSTEM

<p>Scope of delivery:</p> <ul style="list-style-type: none"> Modal exciter 4 kN Trunnion mount Power amplifier 15 kVA Cooling blower Connection cables (each 5 m) Power cables (5 m) for amplifier (CEE 32 connector) Blower hose ø60 mm (5 m) 	<p>Options:</p> <ul style="list-style-type: none"> Wheels&Rails (incl. 3m rails) Squeak&Rattle (Silent operation without blower) Remote control (Software) ASM-Mode (Auto Shutdown Manager) Silencer for cooling blower (Noise reduction up to 6 dB(A)) Acoustic enclosure for cooling blower (Noise reduction 15 - 23 dB(A)) Cable extension Factory acceptance test 	<p>Options:</p> <ul style="list-style-type: none"> TIRA EMS Energy Management System Operation with temperature-controlled cooling blower (and optional with variable field strength) <p>Features:</p> <ul style="list-style-type: none"> Vibration isolation < 6 Hz Coarse filter unit Fully automatic pneumatic load compensation Electronic zero point regulation with adjustable stiffness Automatic centering of the armature Made in Germany Servicehotline
----------------------------------------------------------------------------------------------------------------------------------------------------------------------------------------------------------------------------------------------------------------------------------------------------------------------------	--------------------------------------------------------------------------------------------------------------------------------------------------------------------------------------------------------------------------------------------------------------------------------------------------------------------------------------------------------------------------------------------------------------------------------------------------------------------	----------------------------------------------------------------------------------------------------------------------------------------------------------------------------------------------------------------------------------------------------------------------------------------------------------------------------------------------------------------------------------------------------------------------------------------------------------------------------------------------------------------------------------------------------------------------------------------

TECHNICAL PARAMETERS Amplifier A 1 02 11 021 T SV

Max. output power _{RMS} (factory-set)	15000 VA
Frequency range	DC - 5 kHz
Voltage _{RMS} , max.	±212 V
Current _{RMS} , max. (factory-set)	40-100 A
Signal input voltage _{RMS}	10 V
Total Harmonic Distortion (at 70A _{RMS} , 200 Hz)	< 0.2 %
Signal to noise ratio	> 80 dB
Field voltage (factory-set)	140-280 V
Field current (factory-set)	6-8 A
Total mass	330 kg
Dimensions (WxHxD)	600 x 1740 x 800 mm
Power supply (Standard)	3~ / N / PE 400 V ±5% 50 Hz, CEE 32
Recommended fuse protection	32 A slow
Max. power consumption at 400 V (incl. blower)	17 kVA
Interlocks:	Overload, Temperature, Displacement, Cooling air, Phase monitoring, Emergency stop

Features:

- Field supply integrated
- Field voltage/Field current variable according to customer spec.
- 4 Sigma peak current
- Electronic zero-point-regulation (TMC)
- Mains switch and integrated line filter
- Color Touch Screen



TECHNICAL PARAMETERS Cooling blower TB 0310

Volume flow rate	max. 315 m³/h
Total pressure difference	max. 290 mbar
Power	4 kW
Frequency	50 Hz
Hose diameter	60 mm
Hose length (Std.)	5 m
Total mass	42 kg
Dimensions (WxHxD)	382 x 384 x 432 mm
Sound pressure level, max.	max. 69 dB(A)
Power supply (standard)	by amplifier rack
Max. current consumption at 400 V	7.2 A

Options:

Silencer TB 0310-SI (Noise reduction up to 6 dB(A))

Dimensions (LxD): 308 x 82 mm

Mass: 0.58 kg

Acoustic enclosure TB 0310-AE (Noise reduction 15 - 23 dB(A))

Dimensions (WxHxD): 650 x 760 x 860 mm

Mass: 55 kg

Hose length according to customers request (up to 10 m)



Cooling blower TB 0310



Silencer TB 0310-SI (optional)



Acoustic enclosure TB 0310-AE (optional)