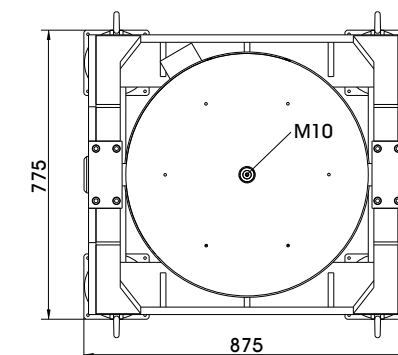
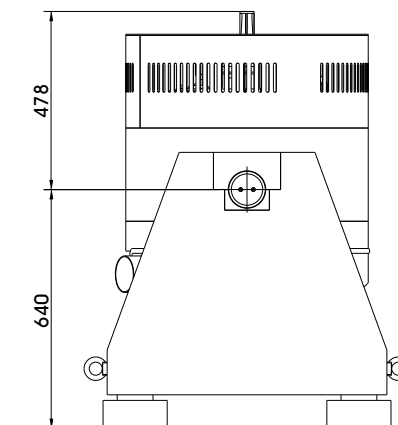
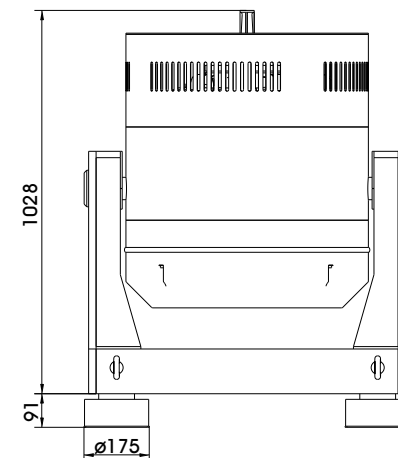


## TECHNICAL PARAMETERS Modal exciter S 57315-M/LSS

|   |  |
|---|--|
| Rated peak force Sine <sub>pk</sub> /Random <sub>RMS</sub> <sup>1</sup> | 15000/11000 N  |
| Frequency range   | 1 - 2000 Hz  |
| Main resonance frequency (free-swinging)                                | >2500 Hz   |
| Max. displacement Peak-Peak <sup>2</sup>                                | 100 mm   |
| Max. velocity   | 2.0 m/s  |
| Suspension stiffness  | electronically adjustable                                      |
| Effective moving mass (±5%)   | 18.0 kg  |
| Total mass  | 1200 kg  |
| Coupling thread   | M10  |
| Interlocks  | Field coil temperature, displacement, cooling air, overcurrent |

1) Random force according to ISO 5344:2004  
2) only with foundation mounting

For long-term tests, the load must be reduced to 80 %. Continuous operation at maximum load can cause damage.



## SCOPE OF DELIVERY, OPTIONS AND FEATURES OF THE SYSTEM

|  |   |  |
|--|---|--|
| <p><b>Scope of delivery:</b></p> <ul style="list-style-type: none"> <li>Modal exciter 15 kN</li> <li>Trunnion mount</li> <li>Power amplifier 37.5 kVA</li> <li>Cooling blower</li> <li>Connection cables (each 5 m)</li> <li>Power cables (5 m) for amplifier (CEE 63 connector)</li> <li>Blower hose ø140 mm (5 m)</li> </ul> | <p><b>Options:</b></p> <ul style="list-style-type: none"> <li>Wheels&amp;Rails (incl. 3m rails)</li> <li>Squeak&amp;Rattle (Silent operation without blower)</li> <li>Remote control (Software)</li> <li>ASM-Mode (Auto Shutdown Manager)</li> <li>Silencer for cooling blower (Noise reduction 3 - 6 dB(A))</li> <li>Acoustic enclosure for cooling blower (Noise reduction 5 - 23 dB(A))</li> <li>Cable extension</li> <li>Factory acceptance test</li> </ul> | <p><b>Options:</b></p> <ul style="list-style-type: none"> <li><b>TIRA EMS</b> Energy Management System</li> <li>Operation with temperature-controlled cooling blower (and optional with variable field strength)</li> </ul> <p><b>Features:</b></p> <ul style="list-style-type: none"> <li>Vibration isolation &lt; 6 Hz</li> <li>Coarse filter unit</li> <li>Fully automatic pneumatic load compensation</li> <li>Electronic zero point regulation with adjustable stiffness</li> <li>Automatic centering of the armature</li> <li>Made in Germany</li> <li>Servicehotline</li> </ul> |
|--|---|--|

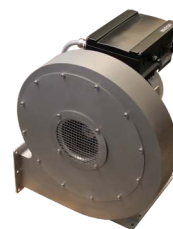
## TECHNICAL PARAMETERS Amplifier A 3 01 11 063 T

|  |  |
|--|--|
| Output power <sub>RMS</sub>                                      | 37500 VA   |
| Frequency range  | DC - 5 kHz   |
| Voltage <sub>RMS</sub> , max.                                    | ±212 V   |
| Current <sub>RMS</sub> , max.                                    | 300 A  |
| Signal input voltage   | 10 V   |
| Total Harmonic Distortion (at 70A <sub>RMS</sub> , 200 Hz)       | < 0.2 %  |
| Signal to noise ratio  | > 80 dB  |
| Field voltage  | 140 V  |
| Field current  | 8 A  |
| Total mass   | 520 kg   |
| Dimensions (WxHxD)   | 600 x 2200 x 800 mm  |
| Power supply (Standard)  | 3~ / N / PE 400 V±5% 50 Hz, CEE 63   |
| Recommended fuse protection (Standard)                           | 63 A slow  |
| Max. power consumption at 400 V (incl. blower)                   | 29 kVA   |
| Interlocks:  | Overload, Temperature, Displacement, Cooling air, Phase monitoring, Emergency stop |
| <b>Features:</b>   |  |
| Field supply integrated  |  |
| Mains switch and integrated line filter                          |  |
| Field voltage/Field current variable according to customer spec. |  |
| 4 Sigma peak current   |  |
| Electronic zero-point-regulation (TMC)                           |  |
| Color Touch Screen   |  |



## TECHNICAL PARAMETERS Cooling blower TB 120 FUK

|   |                    |
|---|--------------------|
| Max. volume flow rate                                       | 1500 m³/h          |
| Total pressure difference                                   | 10.2 kPa           |
| Motor output  | 5.5 kW             |
| Max. frequency  | 100 Hz             |
| Hose diameter   | 140 mm             |
| Hose length (Std.)  | 5 m                |
| Total mass  | 61 kg              |
| Dimensions (WxHxD)  | 487 x 637 x 487 mm |
| Max. sound pressure level                                   | 102 dB(A)          |
| Power supply (standard)                                     | by amplifier rack  |
| Max. current consumption at 400 V                           | 13 A               |
| <b>Options:</b>   |                    |
| Silencer TB 120-SI (Noise reduction 3 - 6 dB(A))            |                    |
| Dimensions (LxD): 1100 x 160 mm                             |                    |
| Mass: 1.2 kg  |                    |
| Acoustic enclosure TB 120-AE (Noise reduction 5 - 23 dB(A)) |                    |
| Dimensions (WxHxD): 1250 x 1393 x 1470 mm                   |                    |
| Mass: 103 kg  |                    |
| Hose length according to customers request (up to 10 m)     |                    |



Cooling blower TB 120 FUK



Silencer TB 120-SI (optional)



Acoustic enclosure TB 120-AE (optional)