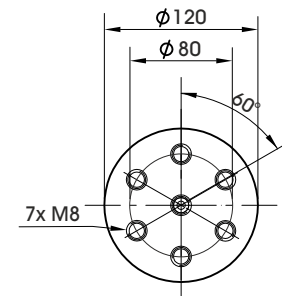
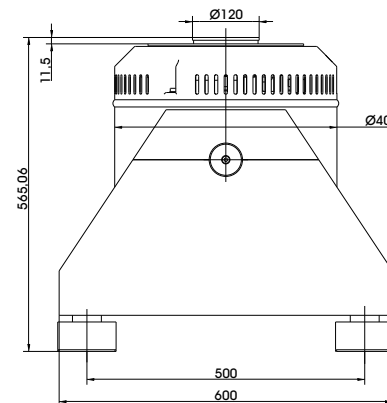
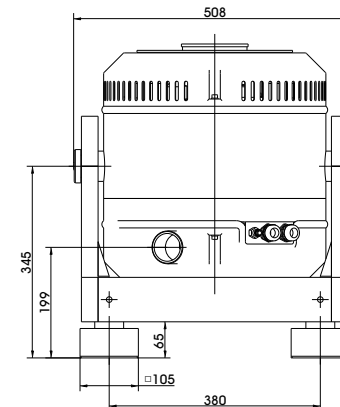


TECHNICAL PARAMETERS Vibration exciter S 50350-120

Rated peak force Sine _{pk} /Random _{RMS} ¹ /Shock _{pk} ²	2700/2000/5500 N
Frequency range	2 - 4500 Hz
Main resonance frequency	>3800 Hz
Max. displacement Peak-Peak	25.4 mm
Max. velocity Sine/Random/Shock	1.5/1.5/2.5 m/s
Max. acceleration Sine/Random/Shock	110/70/180 g
Suspension stiffness	22 N/mm
Effective moving mass (±5%)	2.7 kg
Max. payload mass	25 kg
Total mass	280 kg
Magn. stray field without/with degaussing ³	<8.5/<1.4 mT
Armature diameter	120 mm
Min. required compressed air supply	600 kPa
Interlocks	Field coil temperature, displacement, cooling air, overcurrent, compressed air



Armature (Standard)

1) Random force according to ISO 5344:2004
2) Theoretical maximum shock value. Depends on payload, amplifier, shock and shock width
3) measured at 150 mm above armature

For long-term tests, the load must be reduced to 80 %. Continuous operation at maximum load can cause damage.

SCOPE OF DELIVERY, OPTIONS AND FEATURES OF THE SYSTEM

Scope of delivery:
Vibration exciter 2.7 kN
Trunnion mount
Power amplifier 15 kVA
Cooling blower
Connection cable (5 m)
Power cable (5 m)
for amplifier (CEE 32 connector)
Blower hose ø60 mm (5 m)
Compressed-air hose NW 7,2
(Standard) (3 m)

Options:
Different thread inserts in the armature
at customer request
Degauss kit to reduce stray magnetic field
Squeak&Rattle (Silent operation without blower)
Thermobarrier (-40°C to +140°C)
Chamber leadthrough
Remote control (Software)
ASM-Mode (Auto Shutdown Manager)
Silencer
for cooling blower (Noise reduction up to 6 dB(A))
Acoustic enclosure
for cooling blower (Noise reduction 15 - 23 dB(A))
Cable extension
Factory acceptance test

Options:
TIRA EMS Energy Management System
Operation with temperature-controlled
cooling blower (and optional with variable
field strength)
Features:
Vibration isolation < 6 Hz
Coarse filter unit
Fully automatic pneumatic
load compensation
Automatic centering of the armature
Made in Germany
Servicehotline

TECHNICAL PARAMETERS Amplifier A 1 02 11 021 SV

Max. output power _{RMS} (factory-set)	15000 VA
Frequency range	DC - 5 kHz
Voltage _{RMS} , max.	±212 V
Current _{RMS} , max. (factory-set)	40-100 A
Signal input voltage _{RMS}	10 V
Total Harmonic Distortion (at 70A _{RMS} , 200 Hz)	< 0.2 %
Signal to noise ratio	> 80 dB
Field voltage (factory-set)	140-280 V
Field current (factory-set)	6-8 A
Total mass	330 kg
Dimensions (WxHxD)	600 x 1740 x 800 mm
Power supply (Standard)	3~ / N / PE 400 V±5% 50 Hz, CEE 32
Recommended fuse protection	32 A slow
Max. power consumption at 400 V (incl. blower)	17 kVA
Interlocks:	Overload, Temperature, Displacement, Cooling air, Compressed air, Phase monitoring, Emergency stop

- Features:**
- Field supply integrated
 - Field voltage/Field current variable according to customer spec.
 - 4 Sigma peak current
 - Mains switch and integrated line filter
 - Color Touch Screen

TECHNICAL PARAMETERS Cooling blower TB 0310

Volume flow rate	max. 315 m³/h
Total pressure difference	max. 290 mbar
Power	4 kW
Frequency	50 Hz
Hose diameter	60 mm
Hose length (Std.)	5 m
Total mass	42 kg
Dimensions (WxHxD)	382 x 384 x 432 mm
Sound pressure level, max.	max. 69 dB(A)
Power supply (standard)	by amplifier rack
Max. current consumption at 400 V	7.2 A

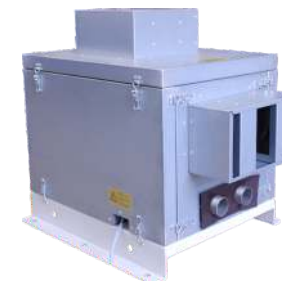
- Options:**
- Silencer TB 0310-SI (Noise reduction up to 6 dB(A))
 - Dimensions (LxD): 308 x 82 mm
 - Mass: 0.58 kg
 - Acoustic enclosure TB 0310-AE (Noise reduction 15 - 23 dB(A))
 - Dimensions (WxHxD): 860 x 760 x 650 mm
 - Mass: 55 kg
 - Hose length according to customers request (up to 10 m)



Cooling blower TB 0310



Silencer TB 0310-SI (optional)



Acoustic enclosure TB 0310-AE (optional)