

TECHNICAL PARAMETERS Vibration exciter S 55240/LS-180

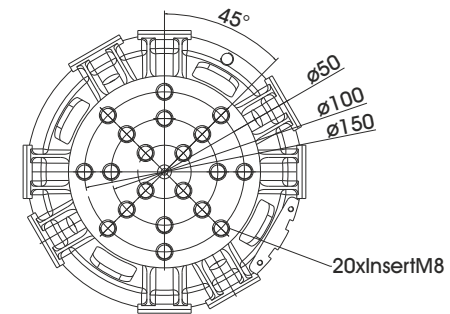
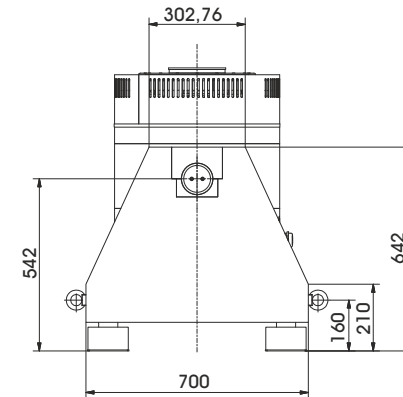
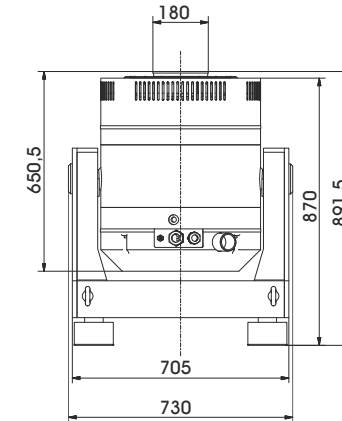
Rated peak force Sine _{pk} /Random _{RMS} ¹ /Shock _{pk} ²	4000/3500/12000 N
Frequency range	2 - 3000 Hz
Main resonance frequency	> 3000 Hz
Max. displacement Peak-Peak	50.8 mm
Max. velocity Sine/Random/Shock	2.0/2.0/2.4 m/s
Max. acceleration Sine/Random/Shock	60/50/150 g
Suspension stiffness	50 N/mm
Effective moving mass (±5%)	6.8 kg
Max. payload mass	250 kg
Total mass	700 kg
Magn. stray field Std./low degaussing ³	< 1.5/< 0.8 mT
Armature diameter	180 mm
Min. required compressed air supply	600 kPa
Interlocks	Field coil temperature, displacement, cooling air, overcurrent, compressed air

1) Random force according to ISO 5344:2004

2) Theoretical maximum shock value. Depends on payload, amplifier, shock and shock width

3) measured at 150 mm above armature

For long-term tests, the load must be reduced to 80 %. Continuous operation at maximum load can cause damage.



Armature 180 (Standard)

SCOPE OF DELIVERY, OPTIONS AND FEATURES OF THE SYSTEM

<p>Scope of delivery: Vibration exciter 4 kN Trunnion mount Power amplifier 15 kVA Cooling blower Connection cable (5 m) Power cable (5 m) for amplifier (CEE 32 connector) Blower hose ø60 mm (5 m) Compressed-air hose NW 7,2 (Standard) (3 m)</p>	<p>Options: Different thread inserts in the armature at customer request Low degaussing kit to further reduce stray magnetic field Squeak&Rattle (Silent operation without blower) Wheels&Rails (incl. 3m rails) Thermobarrier (-40°C to +140°C) Chamber leadthrough Climatic chamber support kit Remote control (Software) Silencer for cooling blower (Noise reduction up to 6 dB(A)) Acoustic enclosure for cooling blower (Noise reduction 15 - 23 dB(A)) Cable extension Factory acceptance test</p>	<p>Options: TIRA EMS Energy Management System Operation with temperature-controlled cooling blower (and optional with variable field strength) ASM-Mode (Auto Shutdown Manager)</p> <p>Features: Vibration isolation < 6 Hz Coarse filter unit Fully automatic pneumatic load compensation Automatic centering of the armature Degauss kit to reduce stray magnetic field Made in Germany Servicehotline</p>
---	--	---

TECHNICAL PARAMETERS Amplifier A 1 02 11 021 SV

Max. output power _{RMS} (factory-set)	15000 VA
Frequency range	DC - 5 kHz
Voltage _{RMS} , max.	212 V
Current _{RMS} , max. (factory-set)	40-100 A
Signal input voltage _{PK}	±10 V
Total Harmonic Distortion (at 70A _{RMS} , 200 Hz)	< 0.2 %
Signal to noise ratio	> 80 dB
Field voltage (factory-set)	140-280 V
Field current (factory-set)	6-8 A
Total mass	330 kg
Dimensions (WxHxD)	600 x 1740 x 800 mm
Power supply (Standard)	3~ / N / PE 400 V±5% 50 Hz, CEE 32
Recommended fuse protection	32 A slow
Max. power consumption at 400 V (incl. blower)	17 kVA
Interlocks:	Overload, Temperature, Displacement, Cooling air, Compressed air, Phase monitoring, Emergency stop
Features:	
Field supply integrated	
Field voltage/Field current variable according to customer spec.	
4 Sigma peak current	
Mains switch and integrated line filter	
Color Touch Screen	

TECHNICAL PARAMETERS Cooling blower TB 0310

Volume flow rate	max. 315 m³/h
Total pressure difference	max. 290 mbar
Power	4 kW
Frequency	50 Hz
Hose diameter	60 mm
Hose length (Std.)	5 m
Total mass	42 kg
Dimensions (WxHxD)	382 x 384 x 432 mm
Sound pressure level, max.	max. 69 dB(A)
Power supply (standard)	by amplifier rack
Max. current consumption at 400 V	7.2 A
Options:	
Silencer TB 0310-SI (Noise reduction up to 6 dB(A))	
Dimensions (LxD): 308 x 82 mm	
Mass: 0.58 kg	
Acoustic enclosure TB 0310-AE (Noise reduction 15 - 23 dB(A))	
Dimensions (WxHxD): 860 x 760 x 650 mm	
Mass: 55 kg	
Hose length according to customers request (up to 10 m)	



Cooling blower TB 0310



Silencer TB 0310-SI (optional)



Acoustic enclosure TB 0310-AE (optional)