

## TECHNICAL PARAMETERS Vibration exciter S 51140

Rated peak force Sine <sub>pk</sub> /Random <sub>RMS</sub> <sup>1</sup>	400/311 N
Frequency range	2 - 6500 Hz
Main resonance frequency	> 5500 Hz
Max. displacement Peak-Peak <sup>2</sup>	20 mm
Max. velocity	1.5 m/s
Max. acceleration Sine/Random	100/50 g
Suspension stiffness	5 N/mm
Effective moving mass	0.4 kg
Total mass	18 kg
Armature diameter	60 mm

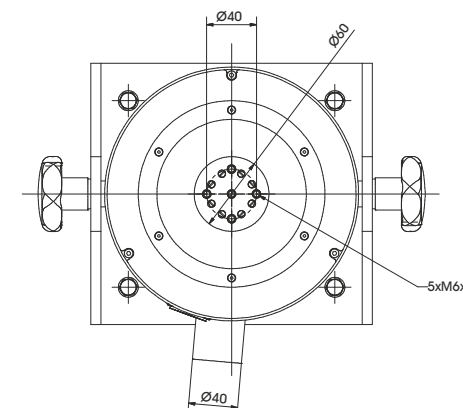
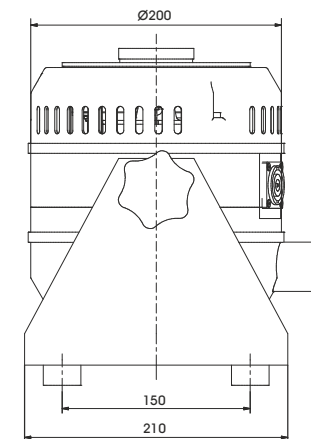
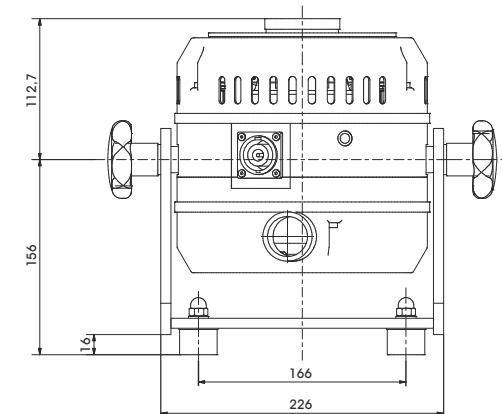
1) Random force according to ISO 5344:2004

2) Payload has an impact on the possible maximum displacement

For long-term tests, the load must be reduced to 80 %. Continuous operation at maximum load can cause damage.



S 51140 (Example drawing) Dimensions in mm



## SCOPE OF DELIVERY, OPTIONS AND FEATURES OF THE SYSTEM

<p><b>Scope of delivery:</b></p> <ul style="list-style-type: none"> <li>Vibration exciter 400 N</li> <li>Trunnion mount</li> <li>Power amplifier 1200 VA</li> <li>Cooling blower</li> <li>Connection cable (5 m)</li> <li>Power cable amplifier (1.5 m)</li> <li>Blower hose ø40 mm (3 m)</li> </ul>	<p><b>Options:</b></p> <ul style="list-style-type: none"> <li>Different thread inserts of armature at customers request</li> <li>Rack for mounting the amplifier</li> <li>Degauss kit to reduce stray magnetic field</li> <li>Silencer for cooling blower (Noise reduction up to 8 dB(A))</li> <li>Acoustic enclosure for cooling blower (Noise reduction 15 - 23 dB(A))</li> <li>Modal adapter M6</li> <li>Stinger (see Modal brochure for details)</li> <li>Cable extension</li> <li>Factory acceptance test</li> </ul>	<p><b>Features:</b></p> <ul style="list-style-type: none"> <li>Vibration isolation</li> <li>Coarse filter unit</li> <li>High cross-axial stiffness</li> <li>Light weight construction by using rare earth magnet</li> <li>Minimum maintenance effort</li> <li>Made in Germany</li> <li>Servicehotline</li> </ul>
--	---	--

TECHNICAL PARAMETERS Amplifier BAA 1000

Output power <sub>RMS</sub>	1200 VA
Frequency range	DC - 20 kHz
Voltage-/Current mode	yes/yes
Voltage <sub>RMS</sub> max.	72 V
Current <sub>RMS</sub> max.	18 A
Signal input voltage <sub>RMS</sub>	< 5 V
Distortion	< 0.1 %
Signal to noise ratio	> 90 dB
Total mass	35 kg
Dimensions (WxHxD)	483 x 146 x 585 mm
Power supply (Standard)	1 ~ / N / PE 230 V±5% 50 Hz, CEE 7/7
Recommended fuse protection (Standard)	16 A slow
Max. power consumption at 230 V	2.7 kVA
Interlocks:	Overload, temperature, clipping

Features:

High Signal to noise ratio of >90 dB

TECHNICAL PARAMETERS Cooling blower TB 0140

Volume flow rate	max. 140 m <sup>3</sup> /h
Total pressure difference	max. 150 mbar
Power	1.1 kW
Frequency	50 Hz
Hose diameter	40 mm
Hose length (Std.)	3 m
Total mass	16 kg
Dimensions (WxHxD)	286 x 302 x 292 mm
Sound pressure level, max.	max. 63 dB(A)
Power supply (Standard)	1 ~ / N / PE 230 V±5% 50 Hz, CEE 7/7
Max. current consumption at 400 V	7.3 A

Options:

Silencer (Noise reduction up to 8 dB(A))

Dimensions (LxD): 308 x 82 mm

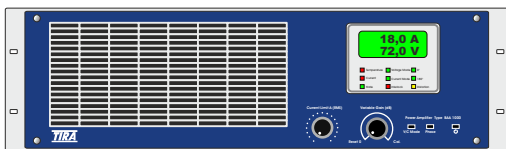
Mass: 0.2 kg

Acoustic enclosure (Noise reduction 15 - 23 dB(A))

Dimensions (WxHxD): 860 x 760 x 650 mm

Mass: 45 kg

Hose length according to customers request (up to 10 m)



Cooling blower TB 0140



Silencer TB 0140-SI (optional)



Acoustic enclosure TB 0140-AE (optional)