

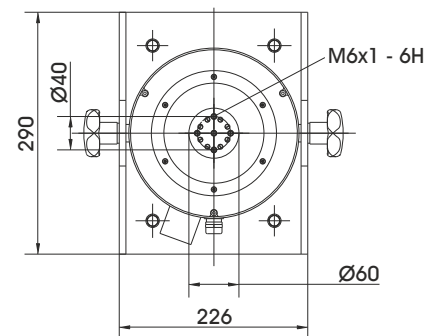
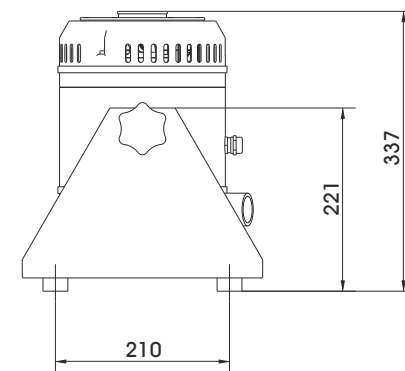
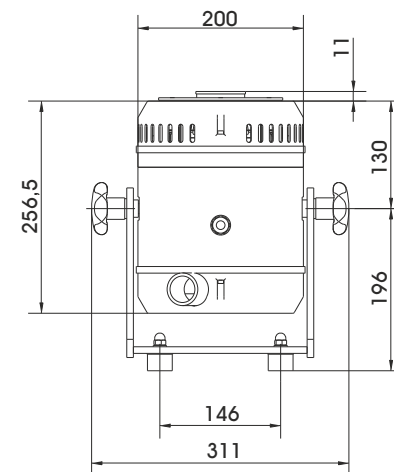
## TECHNICAL PARAMETERS Vibration exciter S 52120

|   |             |
|---|-------------|
| Rated peak force Sine <sub>pk</sub> /Random <sub>RMS</sub> <sup>1</sup> | 200/100 N   |
| Frequency range   | 2 - 7000 Hz |
| Main resonance frequency  | >5700 Hz    |
| Max. displacement Peak-Peak <sup>2</sup>                                | 15 mm       |
| Max. velocity   | 1.5 m/s     |
| Max. acceleration Sine/Random   | 100/50 g    |
| Suspension stiffness  | 13.1 N/mm   |
| Effective moving mass   | 0.25 kg     |
| Total mass  | 36 kg       |
| Armature diameter   | 60 mm       |

1) Random force according to ISO 5344:2004  
2) Payload has an impact on the possible maximum displacement



S 52120 (Example drawing) Dimensions in mm



## SCOPE OF DELIVERY, OPTIONS AND FEATURES OF THE SYSTEM

|  |   |   |
|--|---|---|
| <p><b>Scope of delivery:</b><br/>         Vibration exciter 200 N<br/>         Trunnion mount<br/>         Power amplifier 500 VA<br/>         Cooling blower<br/>         Connection cable (3 m)<br/>         Power cable amplifier (1.5 m)<br/>         Blower hose ø40 mm (3 m)</p> | <p><b>Options:</b><br/>         Rack for mounting the amplifier<br/>         Silencer<br/>         for cooling blower (Noise reduction up to 5 dB(A))<br/>         Acoustic enclosure<br/>         for cooling blower (Noise reduction 15 - 23 dB(A))<br/>         Modal adapter M6<br/>         Stinger (see Modal brochure for details)<br/>         Cable extension<br/>         Factory acceptance test</p> | <p><b>Features:</b><br/>         Vibration isolation<br/>         Coarse filter unit<br/>         High cross-axial stiffness<br/>         Minimum maintenance effort<br/>         Made in Germany<br/>         Servicehotline</p> |
|--|---|---|

## TECHNICAL PARAMETERS Amplifier BAA 500

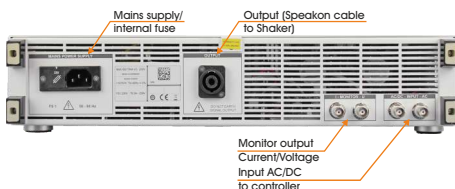
|  |  |
|--|--|
| Output power <sub>RMS</sub>              | 500 VA                                   |
| Frequency range                          | DC - 20 kHz                              |
| Voltage-/Current mode                    | yes/yes                                  |
| Voltage <sub>RMS</sub> max               | 45 V                                     |
| Current <sub>RMS</sub> max. (below 5 Hz) | 11.2 A (5 A)                             |
| Signal input voltage <sub>RMS</sub>      | < 5 V                                    |
| Distortion                               | < 0.1 %                                  |
| Signal to noise ratio                    | > 110 dB                                 |
| Total mass                               | 18 kg                                    |
| Dimensions (WxHxD)                       | 440 x 90 x 290 mm                        |
| Power supply (Standard)                  | 1 ~ / N / PE 230 V±5% 50 Hz, CEE 7/7     |
| Recommended fuse protection (Standard)   | 16 A slow                                |
| Max. power consumption at 230 V          | 0.35 kVA                                 |
| Interlocks:                              | Overload, temperature, clipping and more |

**Features:**  
High Signal to noise ratio of > 110 dB

## TECHNICAL PARAMETERS Cooling blower TB 0080

|                                   |                                      |
|-----------------------------------|--------------------------------------|
| Volume flow rate                  | max. 80 m³/h                         |
| Total pressure difference         | max. 120 hPa                         |
| Power                             | 0.37 kW                              |
| Frequency                         | 50 Hz                                |
| Hose diameter                     | 40 mm                                |
| Hose length (Std.)                | 3 m                                  |
| Total mass                        | 10 kg                                |
| Dimensions (WxHxD)                | 246 x 256 x 247 mm                   |
| Sound pressure level, max.        | max. 53 dB(A)                        |
| Power supply (standard)           | 1 ~ / N / PE 230 V±5% 50 Hz, CEE 7/7 |
| Max. current consumption at 230 V | 2.7 A                                |

**Options:**  
 Silencer TB 0080-SI (Noise reduction up to 5 dB(A))  
 Dimensions (LxD): 310 x 65 mm  
 Mass: 0.2 kg  
 Acoustic enclosure TB 0080-AE (Noise reduction 15 - 23 dB(A))  
 Dimensions (WxHxD): 860 x 760 x 650 mm  
 Mass: 45 kg  
 Hose length according to customers request (up to 10 m)



Cooling blower TB 0080



Silencer TB 0080-SI (optional)



Acoustic enclosure TB 0080-AE (optional)